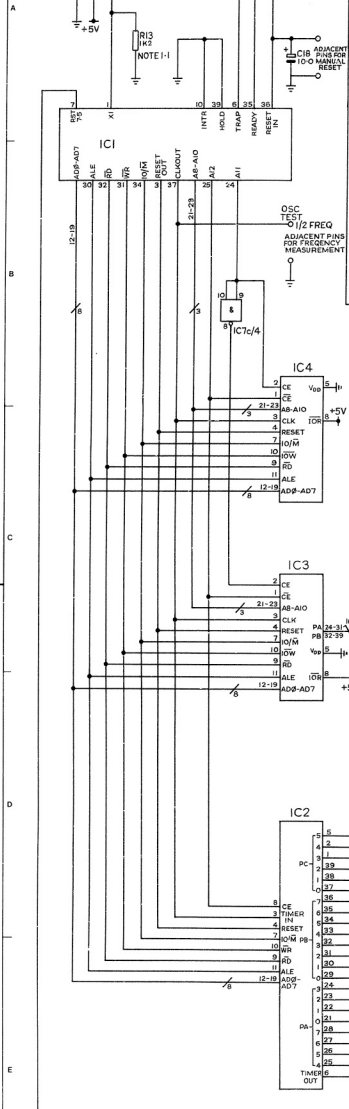
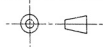


NOTE:-
 1-1. CRYSTAL OSCILLATOR MAY REQUIRE AN EXTERNAL RESISTOR R13. SEE MANUFACTURERS SPEC.
 1-2 IN APPLICATIONS WHERE TEMPERATURE MAY FALL BELOW 0°C.
 PROVIDE STRAPS AS REQUIRED FOR HEATERS.
 1-3 FUSE = 50V, 1A PER UNIT
 1-4 NORMALLY 40mA CURRENT SINK STRAP AS REQUIRED FOR 60mA.

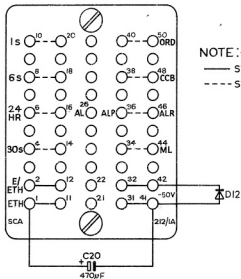


DRN P/G	AO
CKD	A1
CERTIFICATION	
DATE	21-10-81

EQUIPMENT PULSE GENERATING N°2A/2B



LAYOUT OF STRIP CONNECTION



NOTE :-

— STRAP ABOVE

--- STRAP BELOW

RIBBON 4W	RELAY NO'S	LEAD DESIGNATION	SCA
V	5	AL	26
GY	4	ALR	46
WH	1	-50V	32
BLK	6	ETH	1

RIBBON 16W	PWB TERMINATION SCA	LEAD DESIGNATION	EXCHANGE TERMINATION SCA	RIBBON 16W	PWB TERMINATION SCA	LEAD DESIGNATION	EXCHANGE TERMINATION SCA
BN	20	1 SECOND	10	OR	40	ORD	50
RD	18	6 SECOND	8	Y	38	CCB	48
V	16	24 HOUR	6	GN	36	ALARM	26
GY	14	30SECONDS	4	BL	34	MIDNIGHT LINE	44
WH	2	E/ETH	2	OR	31	-50V	42
BLK	12			Y	41		
BN	1	ETH	1	GN	22	HEATER	SEE AT62278 NOTE 1-2
RD	11			BL	21		

© BRITISH TELECOMMUNICATIONS 1981

DO NOT SCALE

ORIGINAL SCALE

A2 A3	DRN PRG CKD	MATERIAL	FINISH	REFERENCES
	CERTIFICATION SB RB			
R700	DATE 21-10-81	EQUIPMENT P/ULSE GENERATING N°2A/2B		
AMENDMENT		BRITISH TELECOMMUNICATIONS HEADQUARTERS ES 10.1.2 AT/ATW622780 SHT 2		
ISSUE		APPD		